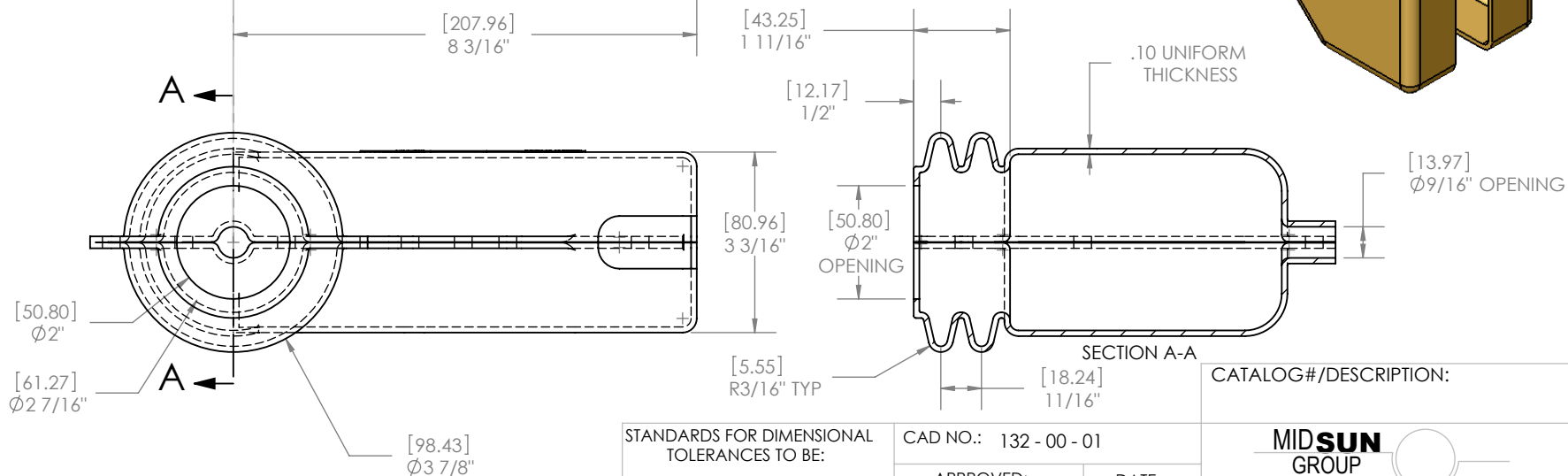
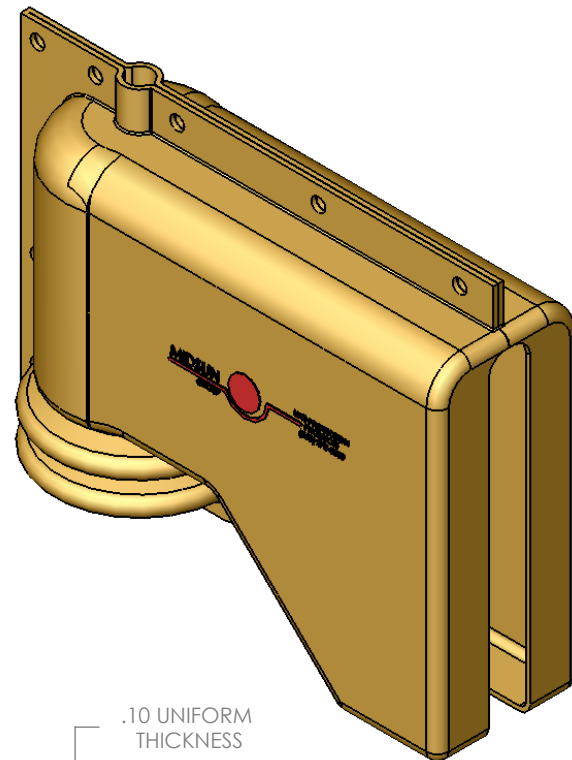
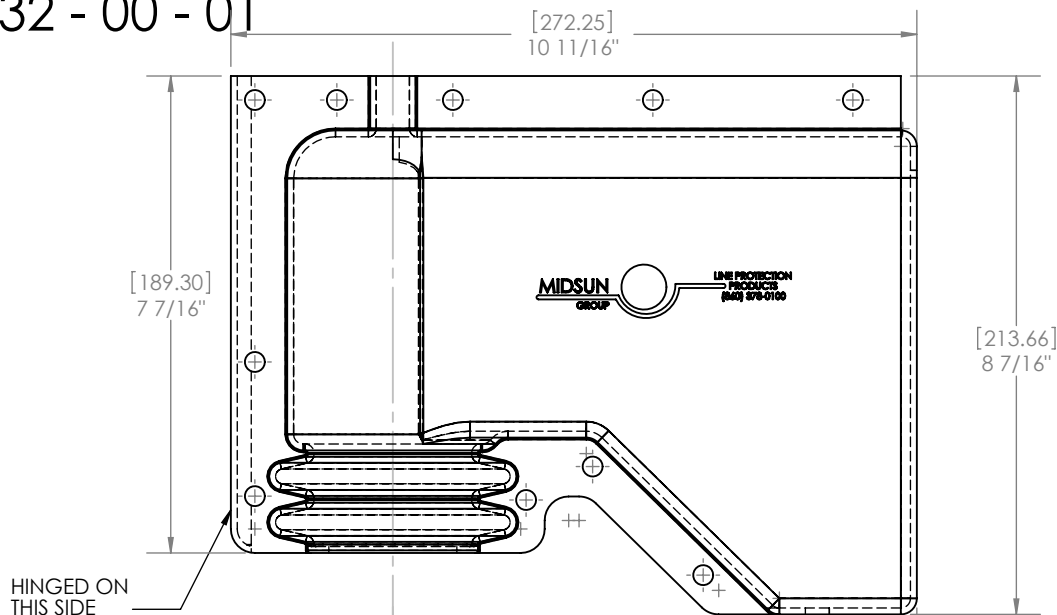


132 - 00 - 01



STANDARDS FOR DIMENSIONAL TOLERANCES TO BE:

**"A"4 BASIC  
UNIFORM WALL THICKNESS  
.100 ± .010**

UNLESS OTHERWISE SPECIFIED

SUPPLIER 1:

PART NO.: **F-NOK 90058542**

SUPPLIER 2:

PART NO.:

QC INSPECTION POINTS

.XXXX

CAD NO.: 132 - 00 - 01

APPROVED:

DATE:

DESIGN:

QUALITY:

MFG.:

SALES:

MAT. CERTIFICATION

YES: NO:

DRAWN: HK

7/14/2003

CATALOG#/DESCRIPTION:

**MIDSUN  
GROUP**

P.O BOX 864 - 135 REDSTONE STREET  
SOUTHINGTON, CT 06489 - USA

TEL.: (860)-378-0100 FAX: (860)-378-0103  
www.midsungroup.com

NEXT ASSEMBLY:

PART NAME:  
E/FUSE CUT OUT COVER

SIZE A PART NO.: 132 - 00 - 01

REV.:

SCALE 1:3

MATERIAL: DOW CORNING COMPOUND HV 1760/1765 OR EQUIVALENT (GRAY)